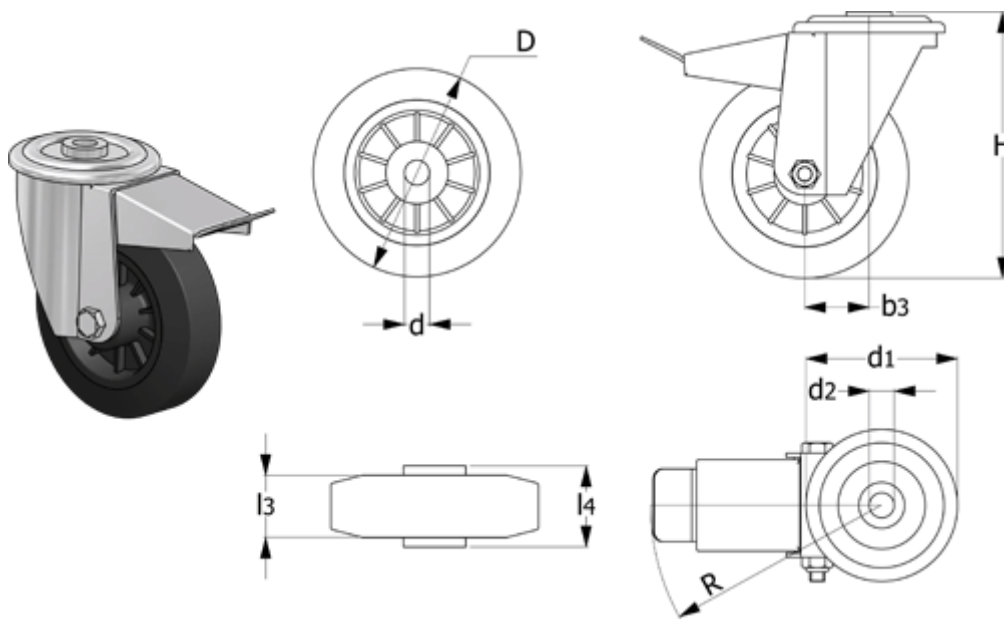


Data Sheet



Article number: 2314449756
Description: E+G rubber wheel 449756
RE.E2-100-FBF turning plate w/brake

Measures



b3	= 35	H	= 128
Code	= 449756	l3	= 30
d	= 12	l4	= 44
D	= 100	R	= 120
d1	= 73	Rolling resistance (N)	= 750
d2	= 12	Type	= RE.E2-100-FBF
Dynamic load (N)	= 800		
g	= 750		